

J-Guide/T-Bar Double Purchase Arbors

- Used in J-Guide/T-Bar guided systems to hold counterweight that balances the batten load
- Arbor tops are fabricated from 1/2" (13 mm) steel, and contain an 8-1/2" (216 mm) diameter ASTM A48 grey iron sheave with equal pitch diameter rope and cable grooves, tapered roller bearings, and 7 gauge (5 mm) side plates
- Arbor bottoms contain an 8" (203 mm) diameter ASTM A48 grey iron sheave grooved for 3/4" (19 mm) rope, with sealed precision ball bearings and 10 gauge (3 mm) side plates
- Two 3/4" (19 mm) steel arbor rods have three nuts at top and bottom
- Each rod has a retaining collar with a thumbscrew incorporating an easy-to-grip plastic knob
- Front collar is welded to top spreader plate for additional security
- 12 gauge (3 mm) steel spreader plate every 2' (610 mm) (minimum 2); Labels on the back bar show safety information and proper location for spreader plates
- 3/8" x 3" (10 mm x 76 mm) steel back bar, with two guide assemblies
- Standard polypropylene guide shoes allow for on site adjustment for 6" (154 mm) or 8" (203 mm) set centers; other shoe types and centers are available
- Arbors are provided with easy-to-read, self-adhesive set numbers
- Three-year warranty against defects in materials or workmanship is provided on all J.R. Clancy equipment, additional warranty information is available at jrclancy.com

Order Information

Number	Length*	Capacity+ 4" (102 mm) Weights	Capacity+ 6" (152 mm) Weights	Weight
J-Guide/T-Bar Counterweight Arbor, 6 Line Double Purchase—615 Series				
008-615X06	6' (1829 mm)	841 lb (381 kg)	1303 lb (473 kg)	113 lb (51.3 kg)
008-615X07	7' (2134 mm)	1009 lb (458 kg)	1564 lb (709 kg)	120 lb (54.4 kg)
008-615X08	8' (2437 mm)	1177 lb (534 kg)	1825 lb (828 kg)	127 lb (57.6 kg)
008-615X09	9' (2743 mm)	1345 lb (610 kg)	2086 lb (946 kg)	134 lb (60.8 kg)
008-615X10	10' (3048 mm)	1514 lb (687 kg)	2346 lb (1069 kg)	141 lb (64 kg)
008-615X11	11' (3353 mm)	1682 lb (763 kg)	2607 lb (1182 kg)	148 lb (67.1 kg)
008-615X12	12' (3658 mm)	1850 lb (839 kg)	2868 lb (1301 kg)	155 lb (70.3 kg)
008-615X13	13' (3962 mm)	2018 lb (915 kg)	3129 lb (1491 kg)	163 lb (73.9 kg)
*Overall length is 22-3/8" (568 mm) longer than the nominal length. +Average Capacity using J.R. Clancy steel counterweights. RWL: RWL is maximum load that can be applied to the arbor which is in "like new" condition and has been properly installed, maintained, and operated.				



J-Guide/T-Bar Arbor
Double Purchase
008-615X04

Number	Length*	Capacity+ 4" (102 mm) Weights	Capacity+ 6" (152 mm) Weights	Weight
J-Guide/T-Bar Counterweight Arbor, 8 Line Double Purchase—815 Series				
008-815X06	6' (1829 mm)	841 lb (381 kg)	1303 lb (473 kg)	119 lb (54 kg)
008-815X07	7' (2134 mm)	1009 lb (458 kg)	1564 lb (709 kg)	126 lb (57.2 kg)
008-815X08	8' (2437 mm)	1177 lb (534 kg)	1825 lb (828 kg)	133 lb (60.3 kg)
008-815X09	9' (2743 mm)	1345 lb (610 kg)	2086 lb (946 kg)	140 lb (63.5 kg)
008-815X10	10' (3048 mm)	1514 lb (687 kg)	2346 lb (1069 kg)	147 lb (66.7 kg)
008-815X11	11' (3353 mm)	1682 lb (763 kg)	2607 lb (1182 kg)	154 lb (69.85 kg)
008-815X12	12' (3658 mm)	1850 lb (839 kg)	2868 lb (1301 kg)	161 lb (73 kg)
008-815X13	13' (3962 mm)	2018 lb (915 kg)	3129 lb (1491 kg)	169 lb (76.7 kg)
*Overall length is 22-3/8" (568 mm) longer than the nominal length. +Average Capacity using J.R. Clancy steel counterweights. RWL: RWL is maximum load that can be applied to the arbor which is in "like new" condition and has been properly installed, maintained, and operated.				

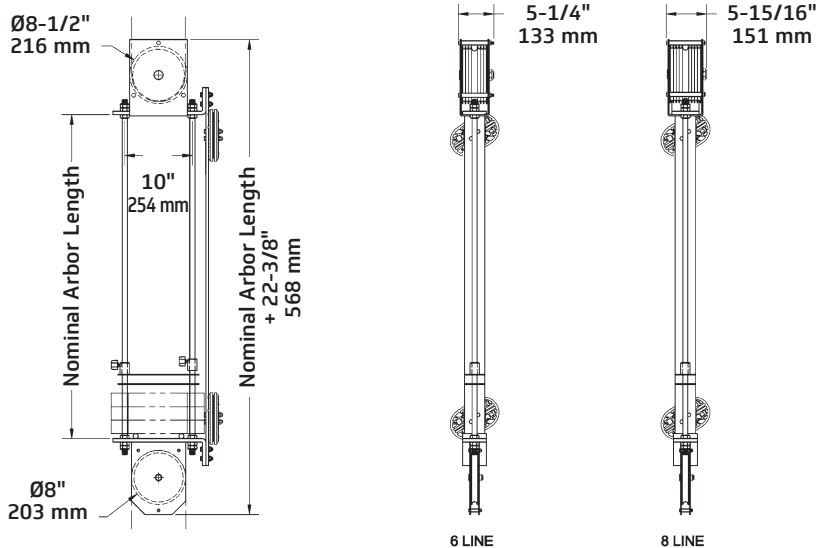
Options

Number	Description	Weight
048-3/4EN	3/4" (19 mm) Eye Nut	2 lb (0.9 kg)



Eye Nut
048-3/4EN

Dimensions



Wenger

JRCLANCY

GEARBOSS

© 2024 Wenger Corporation
USA/2024-03

Minnesota Location

Wenger Phone 800.4WENGER (493-6437) Wenger Worldwide +1.507.455.4100 | Parts & Service 800.887.7145 | wengercorp.com
GearBoss Phone 800.493.6437 | gearboss.com
555 Park Drive, PO Box 448 | Owatonna | MN 55060

New York Location

J.R. Clancy Phone 800.836.1885 JR Clancy Worldwide +1.315.451.3440 | jrclancy.com | 7041 Interstate Island Road | Syracuse | NY 13209